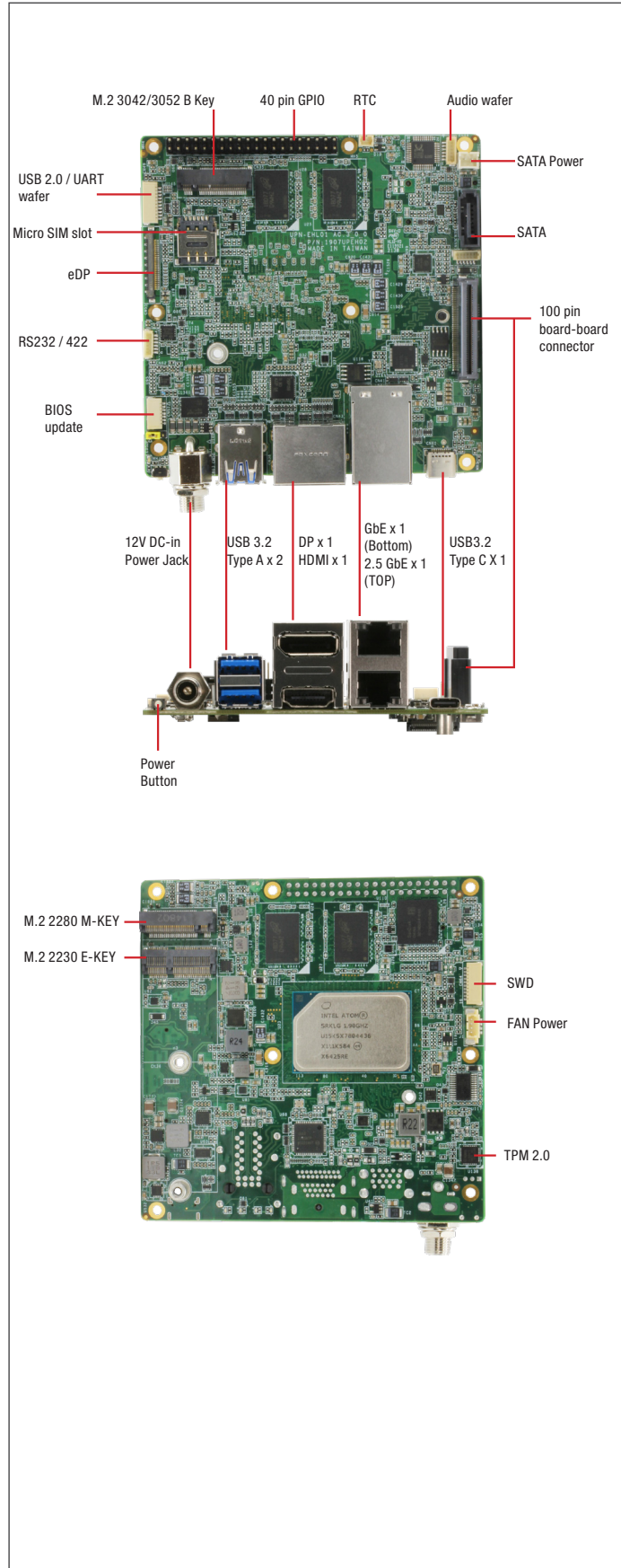


UP Squared 6000

UP Squared 6000 Developer Board with Intel® Atom® x6000E Pentium® Celeron® Processor SoC



Features

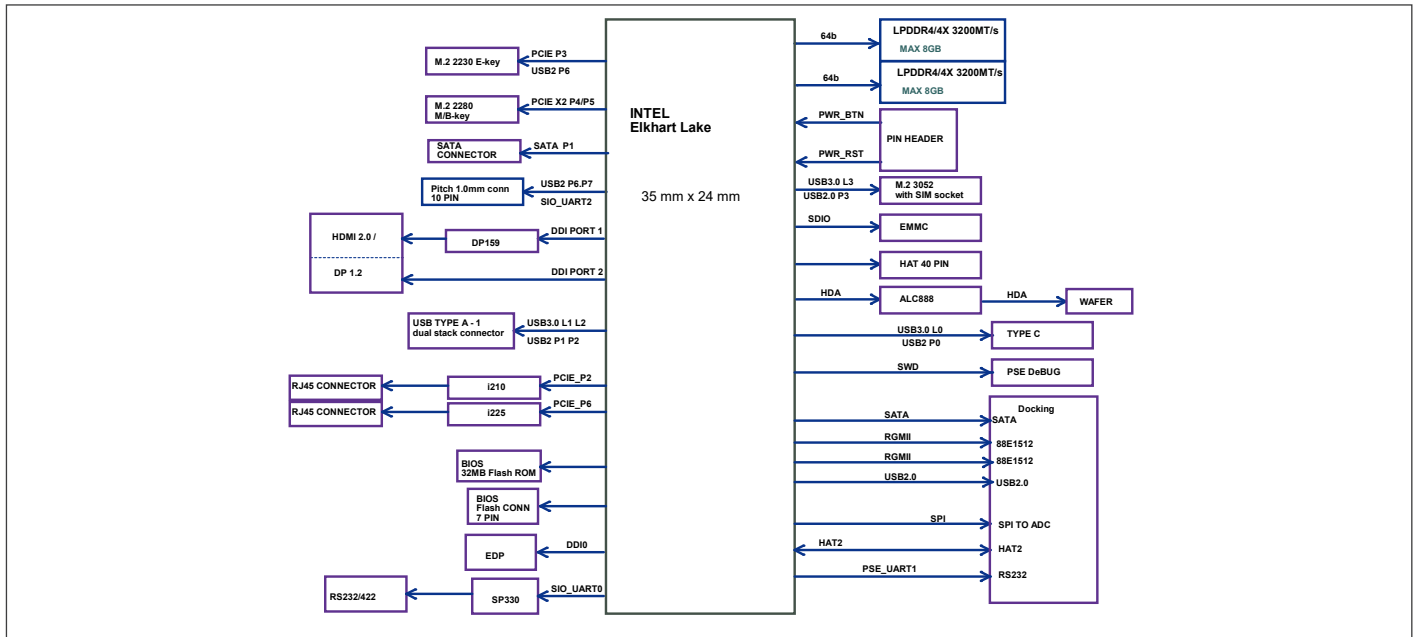
- Intel® Atom® x6000E Pentium® Celeron® Processor SoC
- Onboard LPDDR4 Memory up to 8GB
- Onboard eMMC Storage up to 64GB
- GbE x 1, 2.5GbE x 1 (Intel® i210, i225)
- USB 3.2 x 3 (Type A x 2, Type C x 1)
- 40 pin GPIO x 1
- DP 1.2 / HDMI 2.0b / eDP x 1
- RS232 / 422 wafer x 1
- M.2 2230 E-Key / M.2 2280 M-Key / M.2 3042/3052 B-Key x 1
- SATA3 x 1
- TPM 2.0
- 12V DC-in, 6A



Specifications

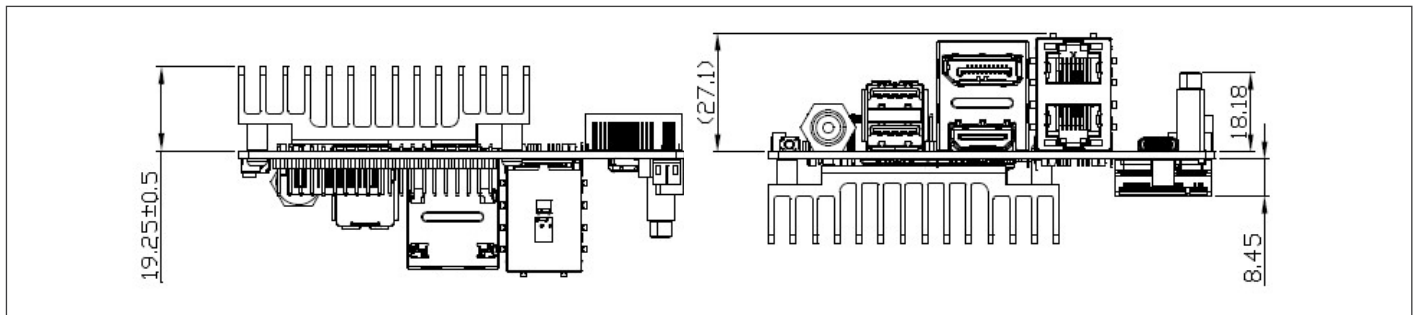
System	
Processor	Intel® Atom® X6413E / X6425RE, Celeron® N6210 (no PSE), Pentium® J6426 Processor SoC
Graphics	Intel® UHD Graphics
I/O	HDMI 2.0b x 1 DP 1.2 x 1 eDP x 1 (Limited to Atom series) Audio wafer x 1 RS-232/422 x 1 (Limited to Atom series)
Camera	—
USB	USB 2.0 x 2 (from wafer x 1) USB 3.2 Gen 2 Type A x 2 USB 3.2 Gen 2 Type C (support OTG) x 1 (Limited to Atom series)
Expansion	40 pin GPIO x 1 M.2 2230 E-key x 1 M.2 2280 PCIe Gen3.0x2 M-key x 1 SATA3 x 1 M.2 3042/3052 B-key x 1 Micro SIM slot x 1 100 pin high speed board-board connector x 1 (Limited to Atom series) TPM 2.0 (Limited to Atom series)
RTC	Yes
Power	12V DC-in (Lockable plug)
Dimension	4" x 4" (101.6mm x 101.6mm)
Memory	Up to 8GB DDR4
Storage	UP to 64GB eMMC
Display Interface	HDMI 2.0b x 1 DP 1.2 x 1 eDP x 1 (Limited to Atom series)
Ethernet	GbE x 1, 2.5GbE x 1 Atom: Intel® i210-IT, i225-IT PC Client: Intel® i211-AT, i225-V
OS Support	Microsoft Windows 10 (full), Windows IOT Core Linux: Ubuntu 20.04 LTS, Yocto 3.1
Operating Temperature	With Heatsink: 32°F ~ 140°F (0°C ~ 60°) / 0.5 airflow
Operation Humidity	0% ~ 90% relative humidity, non-condensing
Certification	CE/FCC Class A, RoHS Compliant, REACH

Block Diagram



Dimension

Unit: mm



Ordering Information

Part number	CPU	Memory	Storage	USB 3.2 Type C	RS232 / 422 wafer	eDP	TPM 2.0	LAN	100 pin board-board connector
UPN-EHLCN2-A10-0232	PC Client: N6210 (No PSE)	2GB	32GB	No	No	No	No	i211-AT / i225-V	No
UPN-EHLPJ4-A10-0432	PC Client: J6426	4GB	32GB	No	No	No	No	i211-AT / i225-V	No
UPN-EHLX4E-A10-0432	Embedded: X6413E	4GB	32GB	Yes	Yes	Yes	Yes	i210-IT / i225-IT	Yes
UPN-EHLX4RE-A10-0864	Industrial: X6425RE	8GB	64GB	Yes	Yes	Yes	Yes	i210-IT / i225-IT	Yes

Packing List

- UP Squared 6000 with heatsink

Optional Accessories

Part Number	Description
1255X00032	12VDC/6A Adapter
1702031803	Power cord for EU
1702031802	Power cord for US
170203180J	Power cord for UK
170203180E	Power cord for Japlan
170203180B	Power cord for China
1702031811	Power cord for Taiwan
1709070500	SATA cable
1702150155	SATA power cable(15cm)
1702150306	SATA power cable(30cm)
170010015G	UART to USB cable
PER-TAIX2-A10-2280	AI Core XM M.2 2280 B+M key card 15mm heatsink with fan
9651926001	M.2 2230 WiFi Kit.802.11ac.2.4G/5G,W/BT w/2 cable & antenna
9741364A00	Wireless LAN Kit M.2 2230 802.11ac/a/b/g/n + BT4.0,2T2R,with 2 sets of cable & antenna